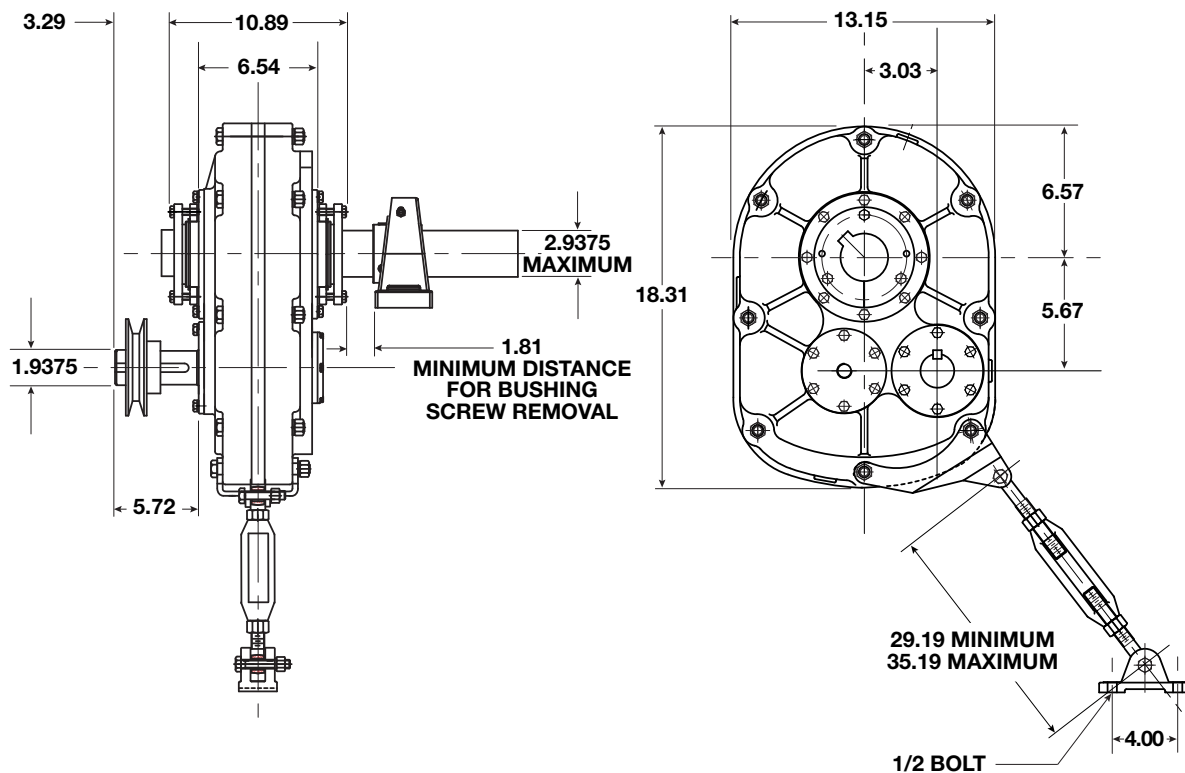




# VXT5 XD Dimensions

All dimensions listed in inches



## Output Hub Tapered Bushings (Other bushing sizes available by special order)

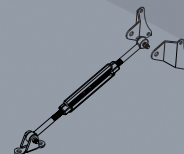
Bushing Kit Number (bore diameter)	Shaft Keyseat Required (inches)	Weight (lbs)
XBK5 2-3/16*	1/2 x 1/4 x 9-3/8	10.0
XBK5 2-1/4*	1/2 x 1/4 x 9-3/8	9.2
XBK5 2-7/16*	5/8 x 5/16 x 9-3/8	8.5
XBK5 2-1/2*	5/8 x 5/16 x 9-3/8	8.5
XBK5 2-11/16	5/8 x 5/16 x 9-3/8	7.9
XBK5 2-15/16	3/4 x 3/8 x 9-3/8	7.8

\*Check the driven shaft and key for adequate load capacity.

## XD Style Speed Reducer (AGMA Size 215)

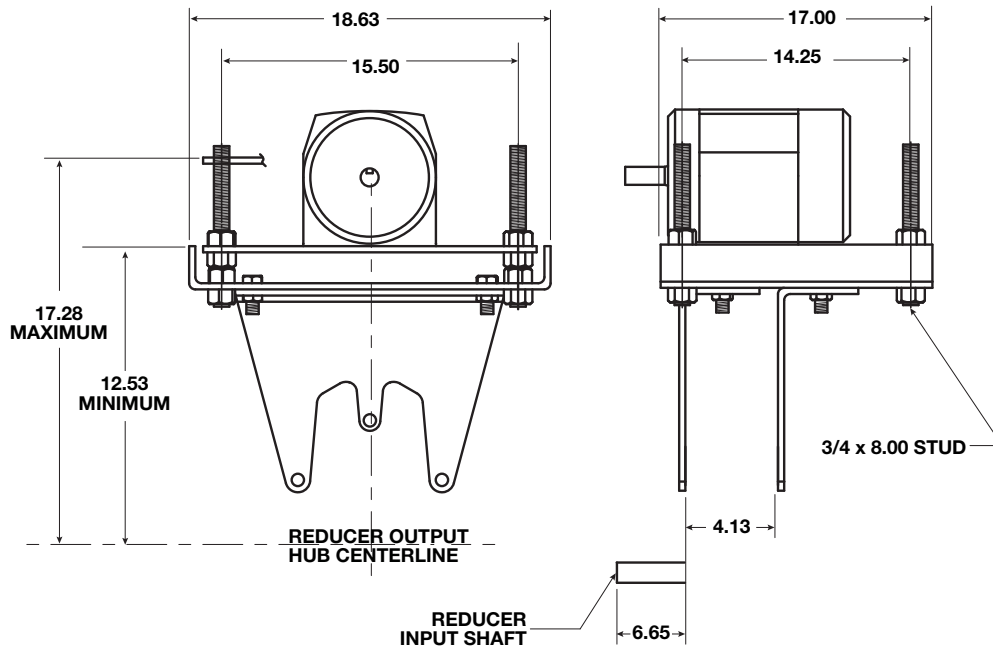
Reducer Unit	Exact Ratio	Maximum Output RPM	Weight (lbs)
VXT515 XD	15.40:1	125	187.0
VXT525 XD	25.56:1	80	187.0

## Included Torque Arm



Torque Arm Kit Number	Weight (lbs)
5TA	11.0

# VXT5 XD Accessories



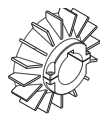
Motor Mount Kit Number	NEMA Motor Frame	Weight (lbs)
5MMA	143T-286T	76.0

V-Belt Center Distance for NEMA Frame Motors						
	140	180	210	250	280	320
Minimum	22.7	23.7	24.4	25.4	26.2	27.2
Maximum	26.6	27.6	28.4	29.4	30.1	31.1



**Backstop**

5BKS



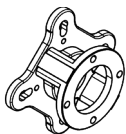
**Cooling Fan Kit**

5CFK



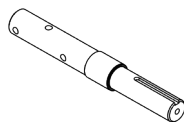
**Component Replacement Repair Kit**

5RK



**Screw Conveyor Flange**

5SCF



**Screw Conveyor Drive Shaft**

5SCDS

**Output Shaft Diameter Options (in)**

2

2-7/16

3

3-7/16



**Screw Conveyor Shaft Removal Wedge**

5SCRW